



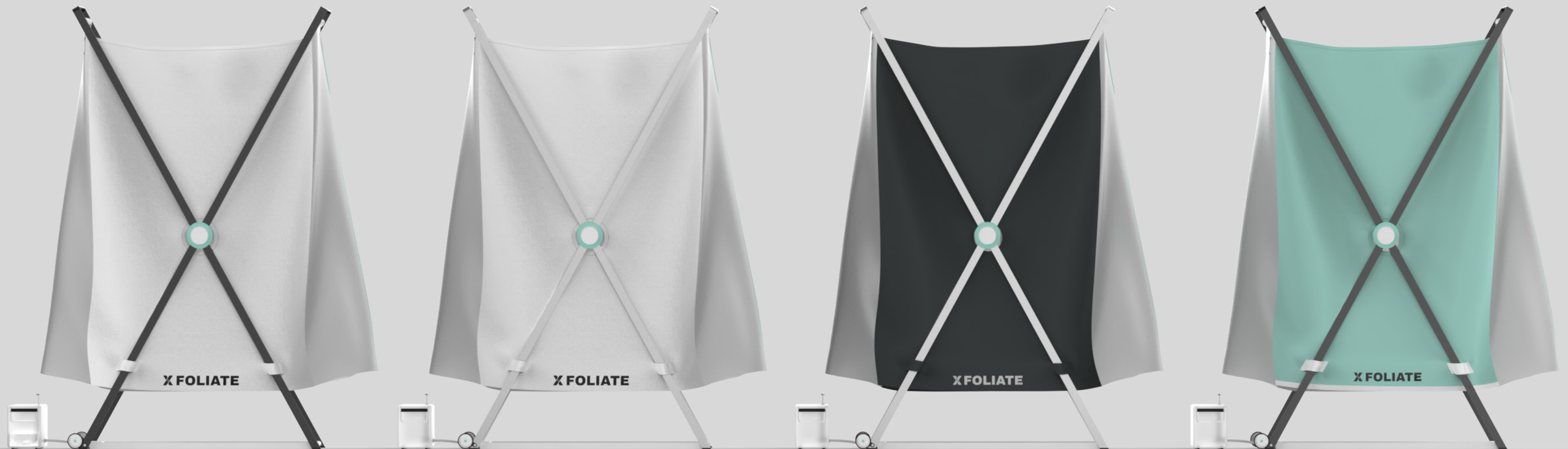
X FOLIATE

In Detail

Jason Chan & Shane Fesler
Design Lab 2
Fall 2023
12-14-23

About XFOLIATE

XFOLIATE is an emergency **shower system which aims to provide water limited cleansing after an emergency**, specifically earthquakes. Working in conjunction with governmental institutions, stores, retailers, and other community organizations; XFOLIATE will be able to equip and prepare LA County residents with a safe solution for **washing off harmful dust, asbestos, chemicals, and fumes from fires**. This system will be a sustainable method for prolonged reconstruction periods, and maintaining a clean and healthy community.



X FOLIATE

3/4 Views & Call-outs



Exterior





Interior

Water Saving Shower Head

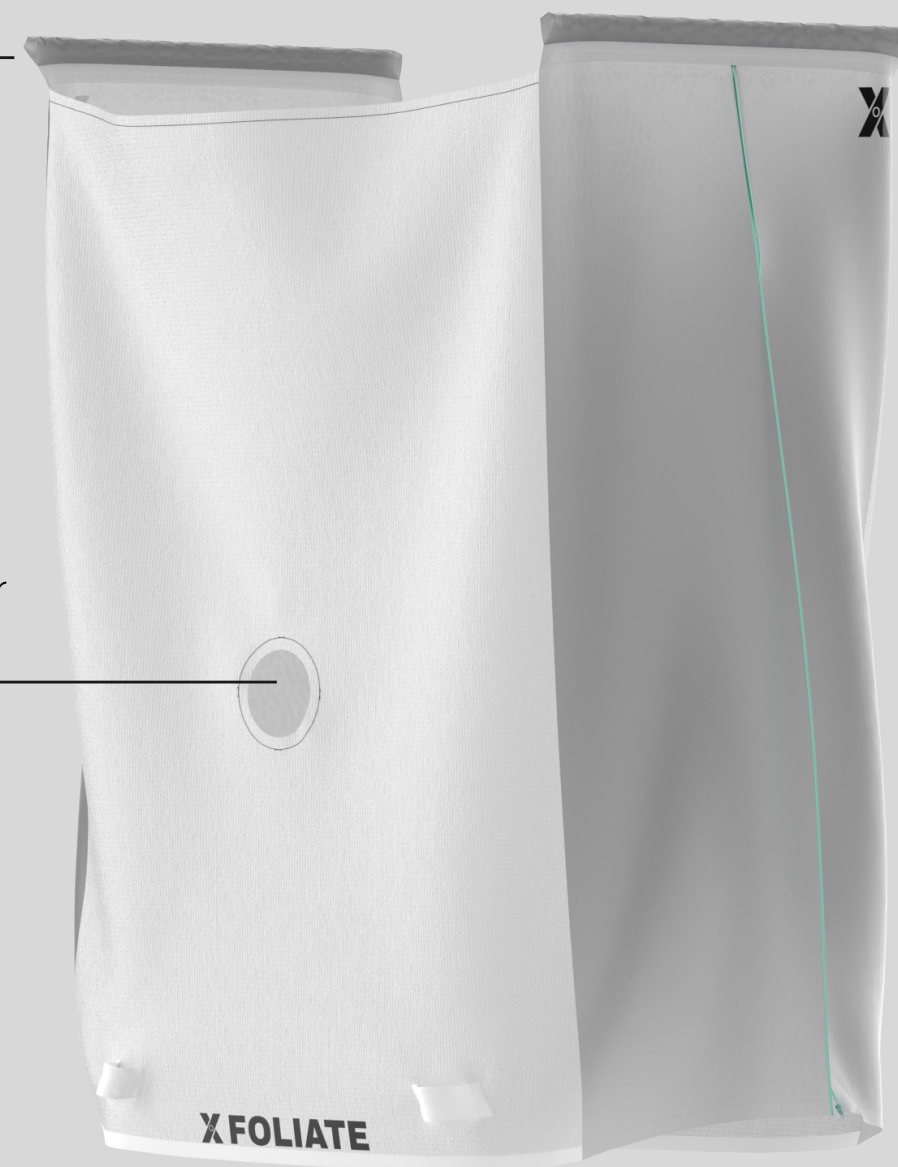
System Instructions

Shower Container w/ Water Pump



Looped piece to hold onto frame

Through hole for shower container hanger



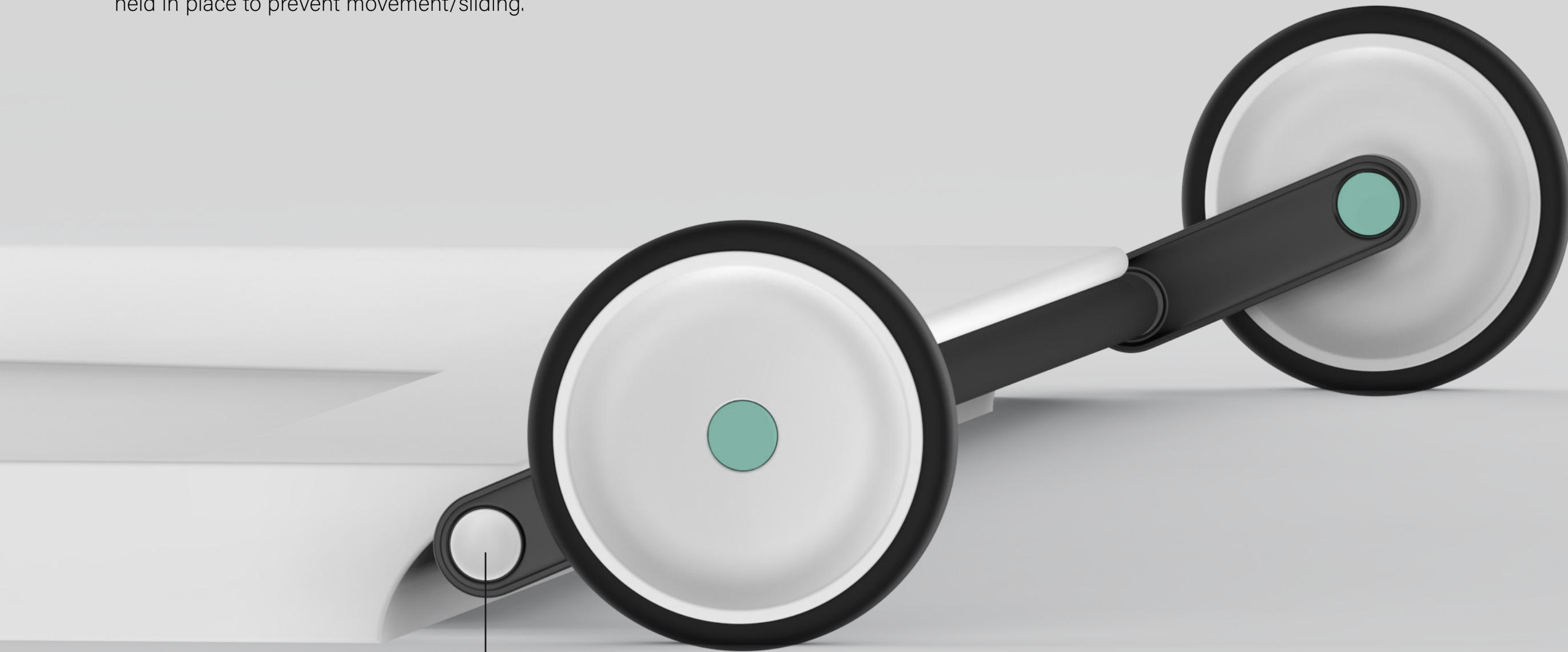
X FOLIATE

In-depth Views & Call-outs



Product Transferring

Castors will speed up the transfer of XFOLIATE for set up. When product is settled the wheels are held in place to prevent movement/sliding.



Castor Lock




Water Collection

The shower basin will catch all the shower water, and can later be filtered and reused for long term use.



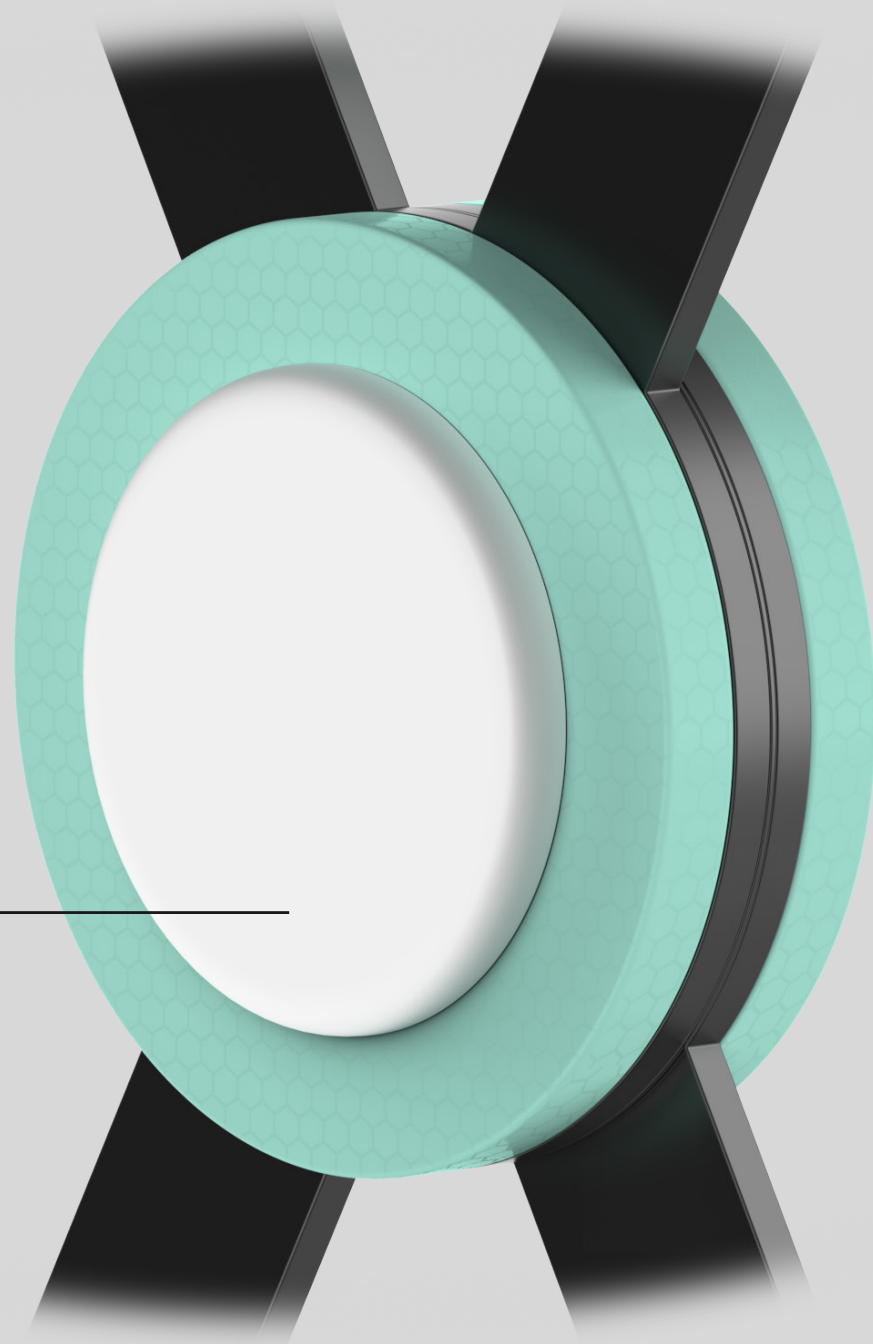
Water is collected through the basin drain



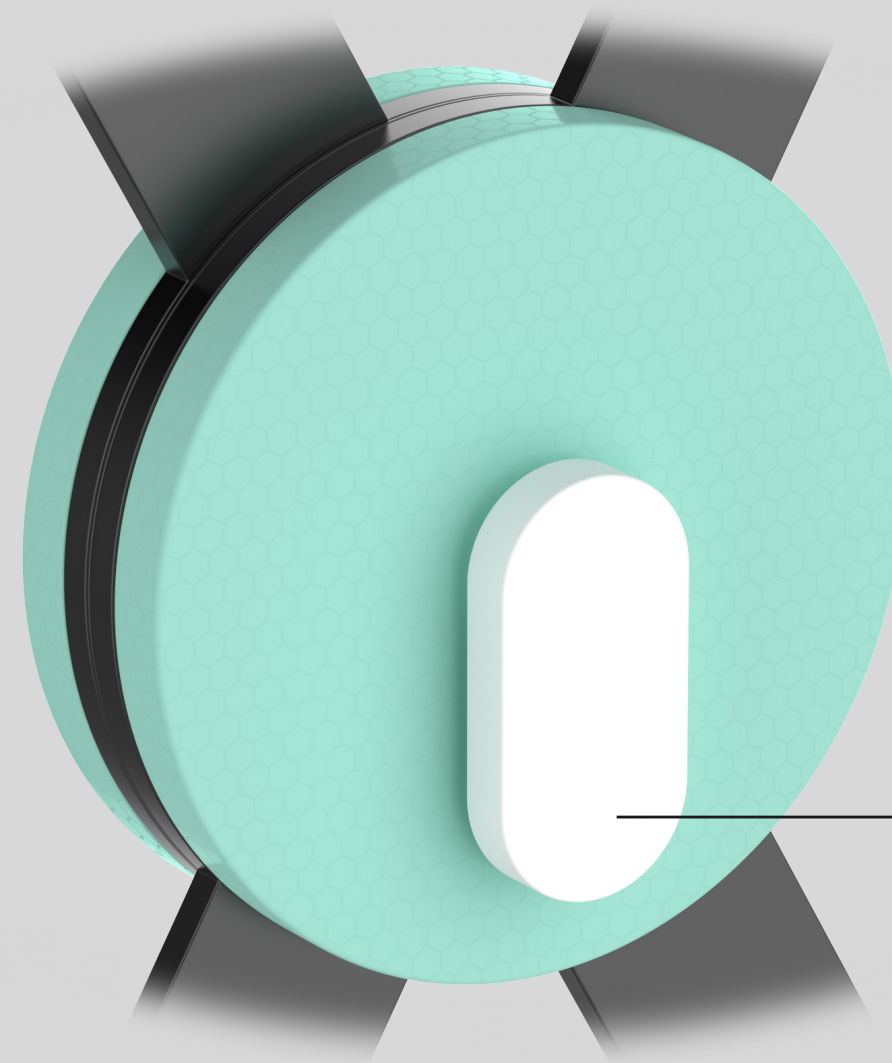
Shower basin's water drain into the soiled water tank

Open and Closing

The frame lock mechanism has an exterior button that locks and unlocks the frame. The interior lock allows the shower container to be hanged but also can lock the shower basin in place when folded.



Exterior Frame Lock



Interior Frame Lock & Shower
Container Hanger

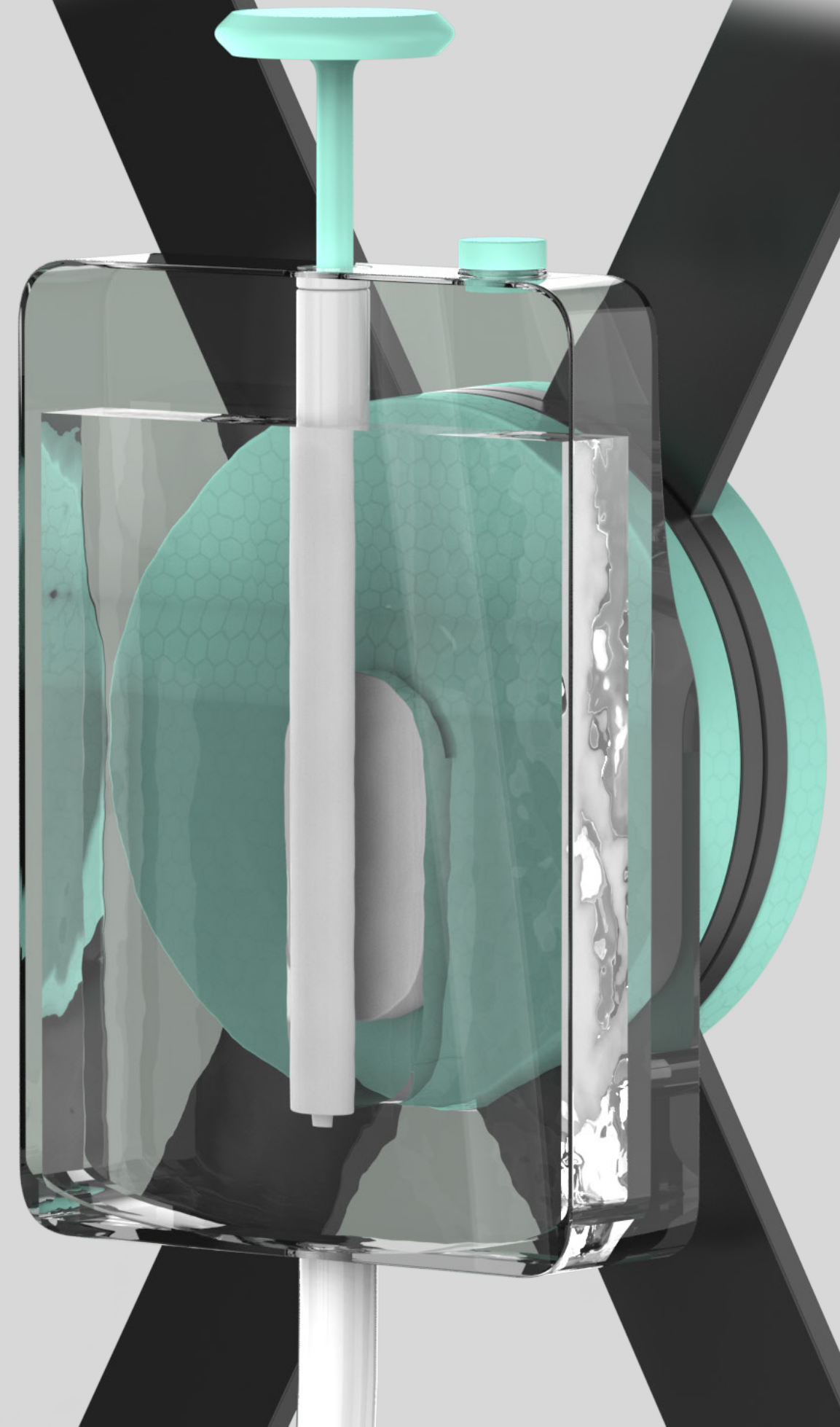


Showering

People will receive water used for showering which will be poured into the shower container. A manual hand pump is used for water pressure.



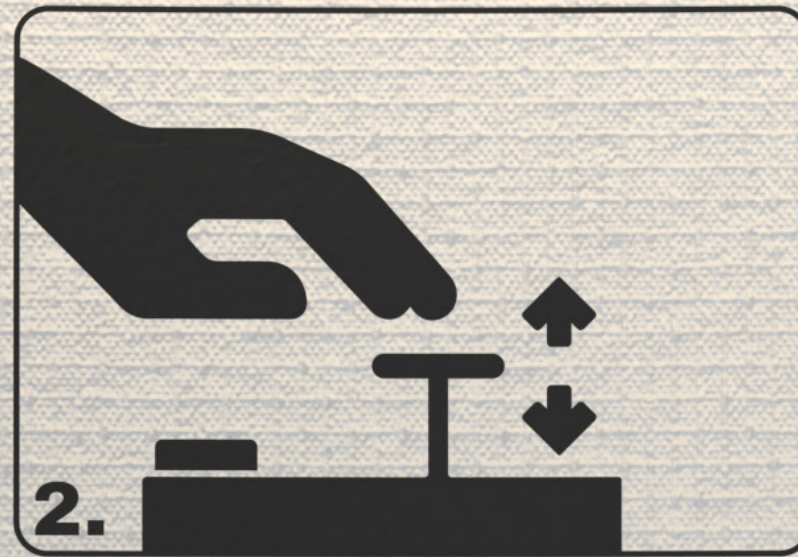
Toon drawings to show the contours of the interior frame lock holding the shower container in place



How To Use: **X FOLIATE**



FILL the shower container with your provided water.

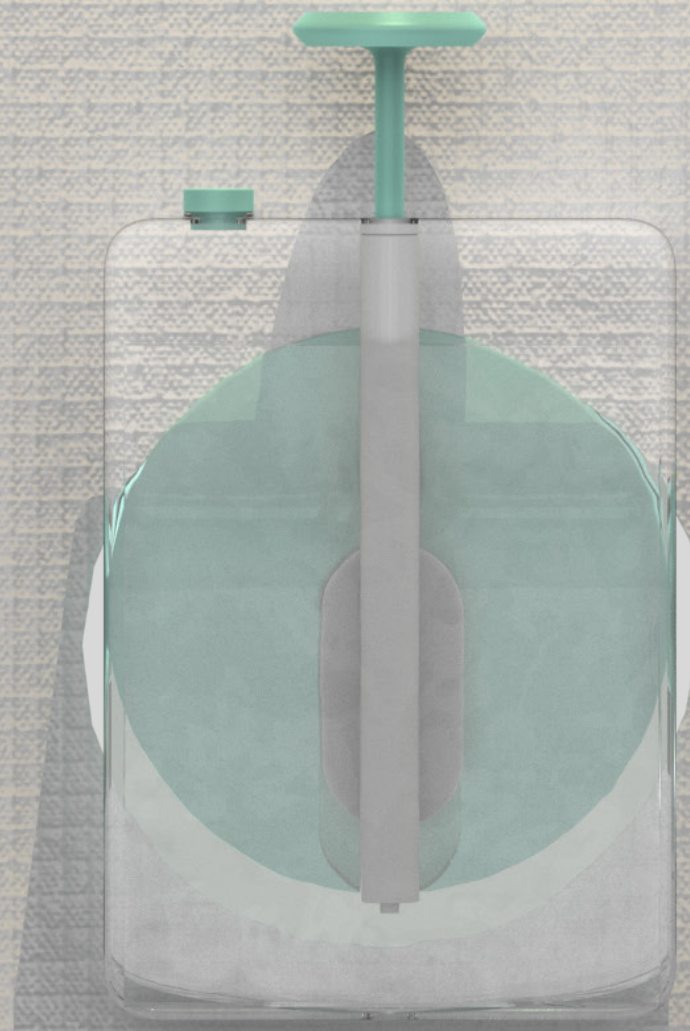


PUMP the shower container.



PRESS and **RINSE**

Step by step instruction inside shower, so users can refer to it at any time when they begin showering.





Showering

This simple hand pump allows for the water to be pressurized inside the enclosed shower container. After a few repeated pumps, the user can enjoy a constant spray of water for showering.





Showering

A water saving shower head to allow for efficient use of limited water to cleanse the full body.





Showering

The soiled water tank is built to hold all the waste water produced from showering by multiple users. It has a built in hand pump, larger than the shower container to intake more water at a faster rate.



X FOLIATE

Parts Disassembly

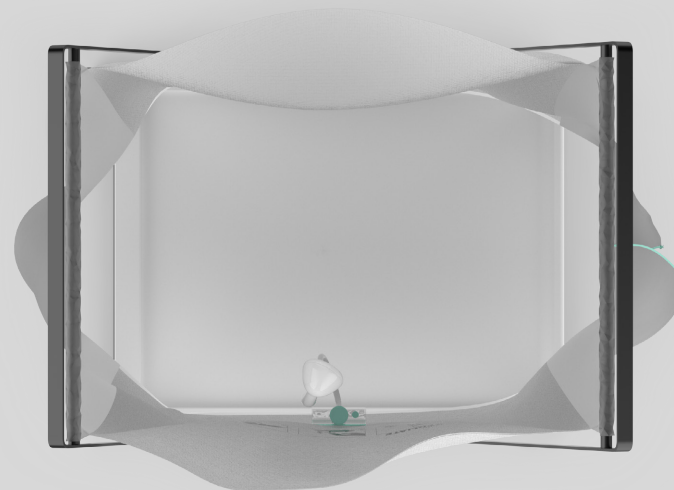
X FOLIATE

Orthographic Views

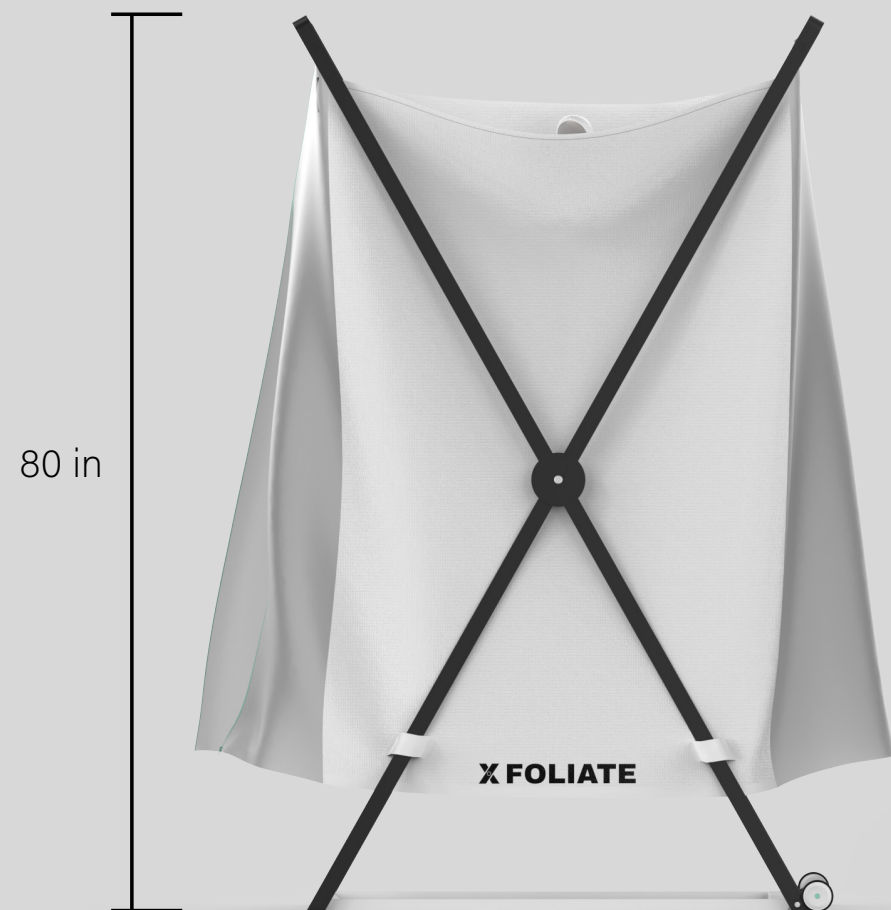


Dimensions

Top



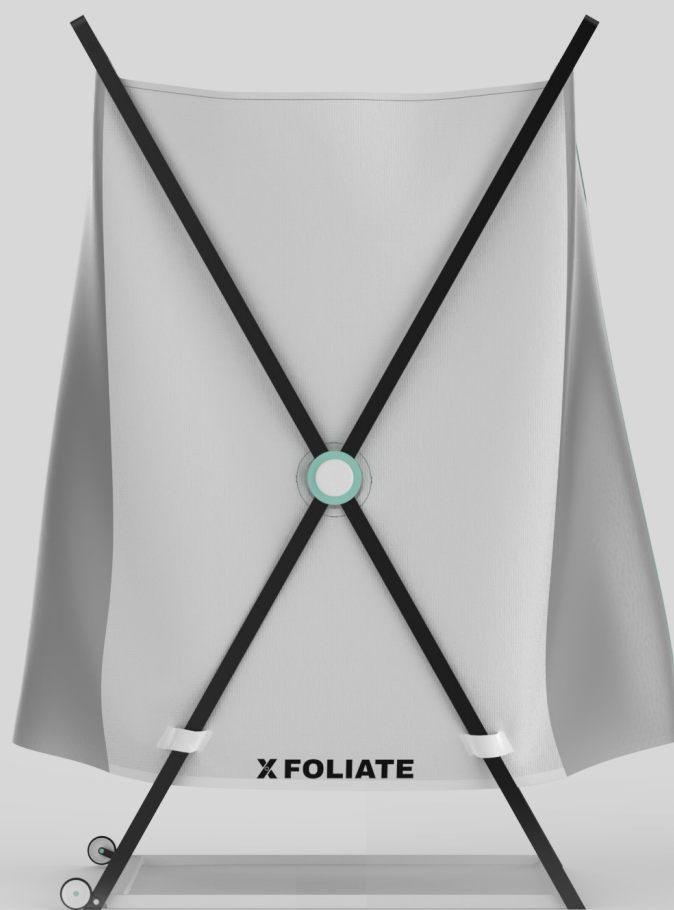
Back



80 in

X FOLIATE

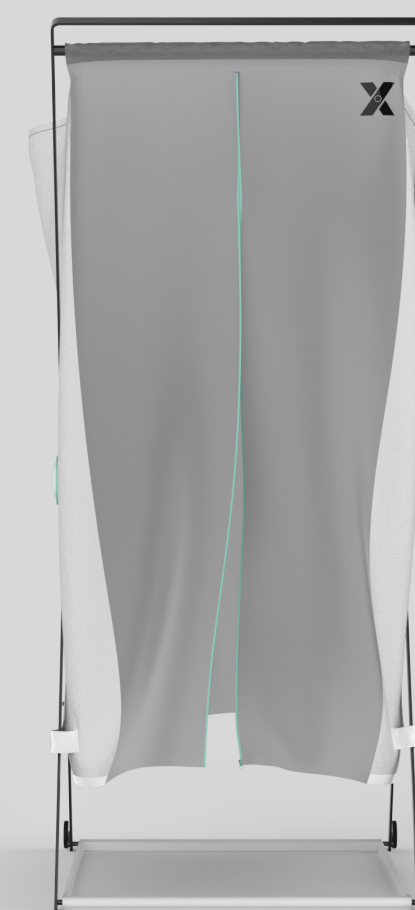
Front



45 in

X FOLIATE

Side



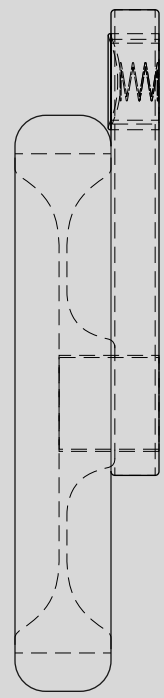
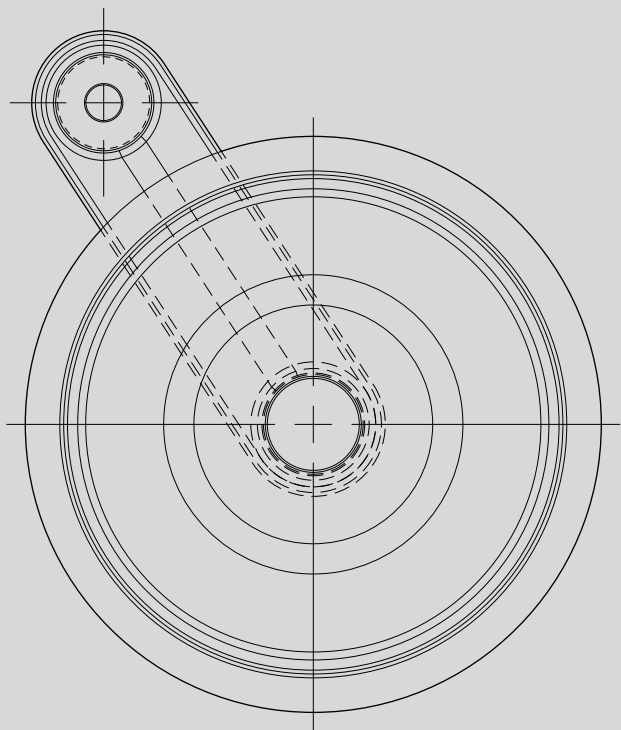
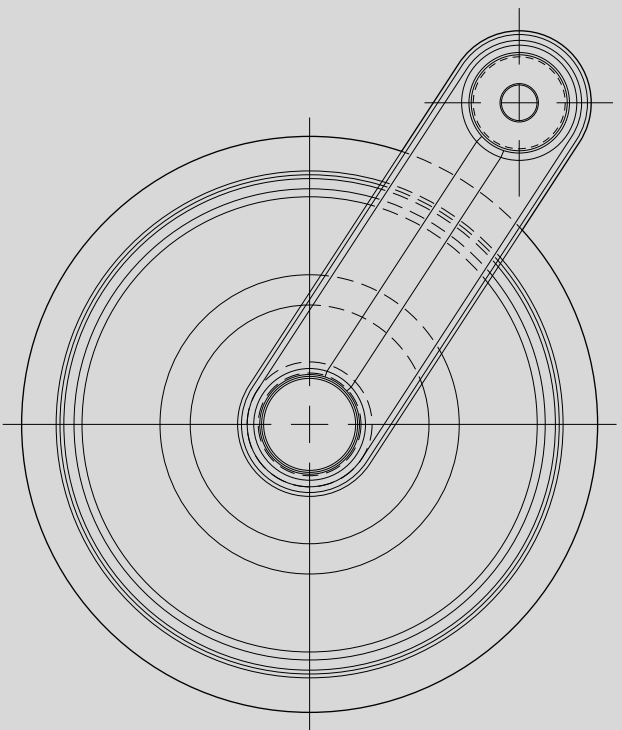
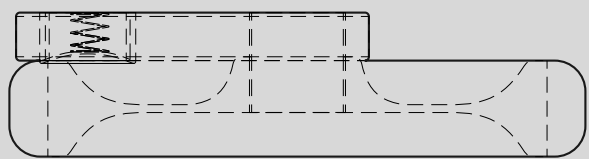
34.5 in

X

1 2 3 4 5 6 7 8 9 10 11

G
F
E
D
C
B
A

G
F
E
D
C
B
A



XFOLIATE		
Jason Chan & Shane Fesler	Date	12/14/23
Design Lab 2	Unit	Inch-Pounds-Seconds
Contact ---/---/----	Scale	1 : 1
Description: Castor & Hinge System	Sheet	1 of 13
	Paper	11" x 17"

1 2 3 4 5 6 7 8 9 10 11

1 2 3 4 5 6 7 8 9 10 11

G

G

F

F

E

E

D

D

C

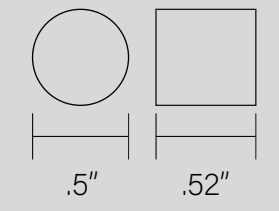
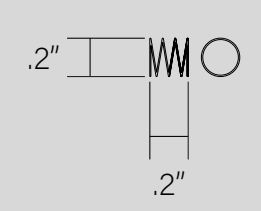
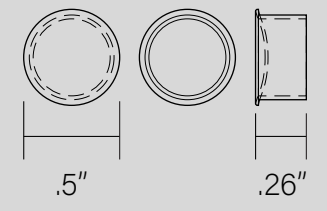
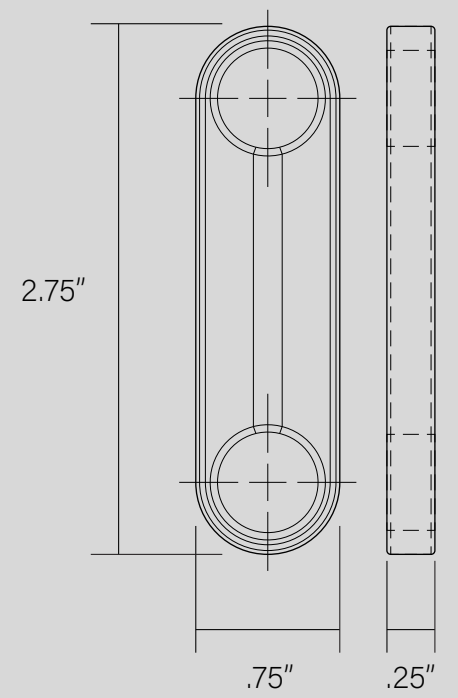
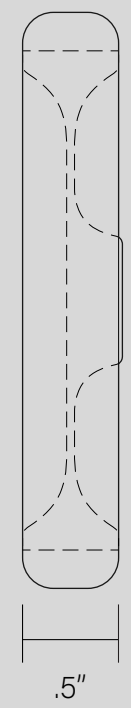
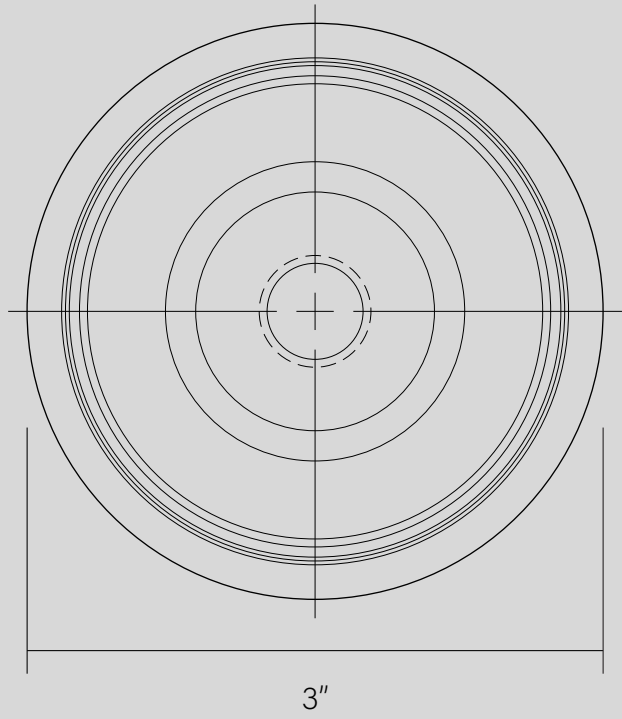
C

B

B

A

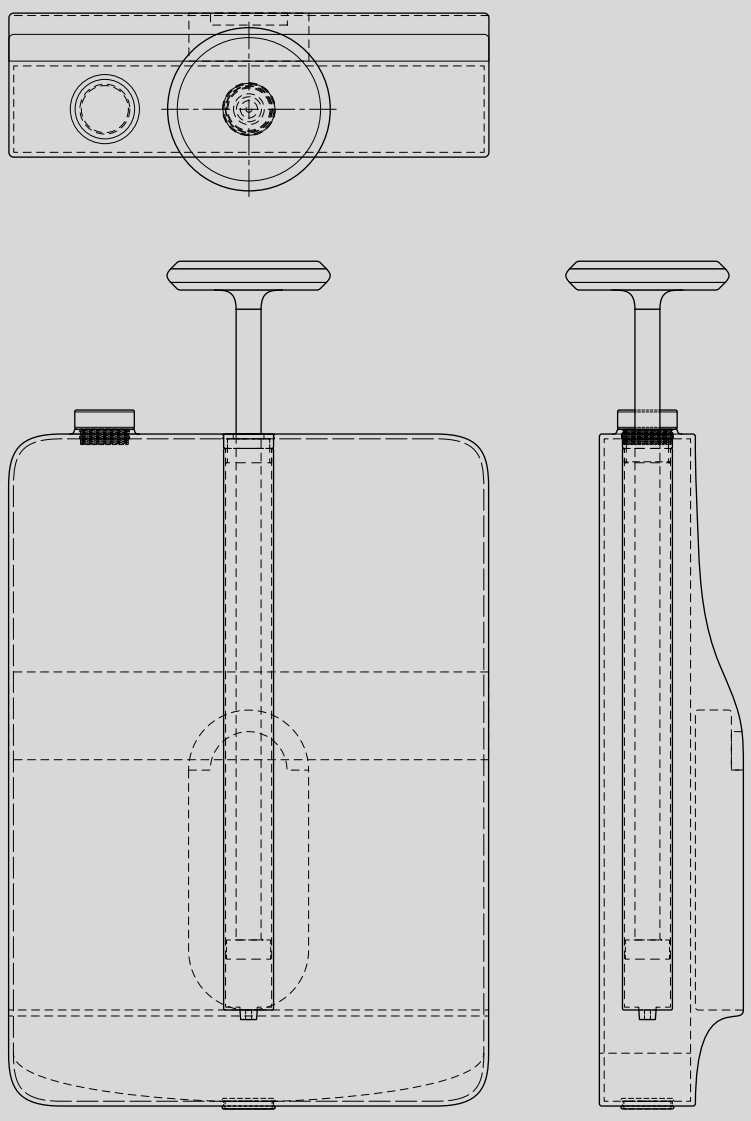
A



XFOLIATE

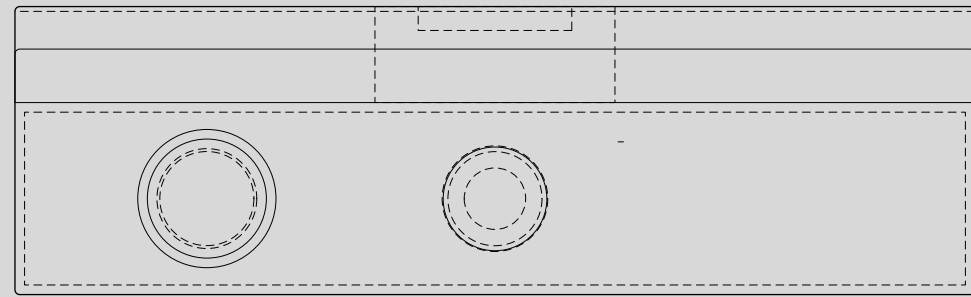
Jason Chan & Shane Fesler	Date	12/14/23
Design Lab 2	Unit	Inch-Pounds-Seconds
Contact ---/---/----	Scale	1 : 1
Description: Castor & Hinge System	Sheet	2 of 13
	Paper	11" x 17"

1 2 3 4 5 6 7 8 9 10 11

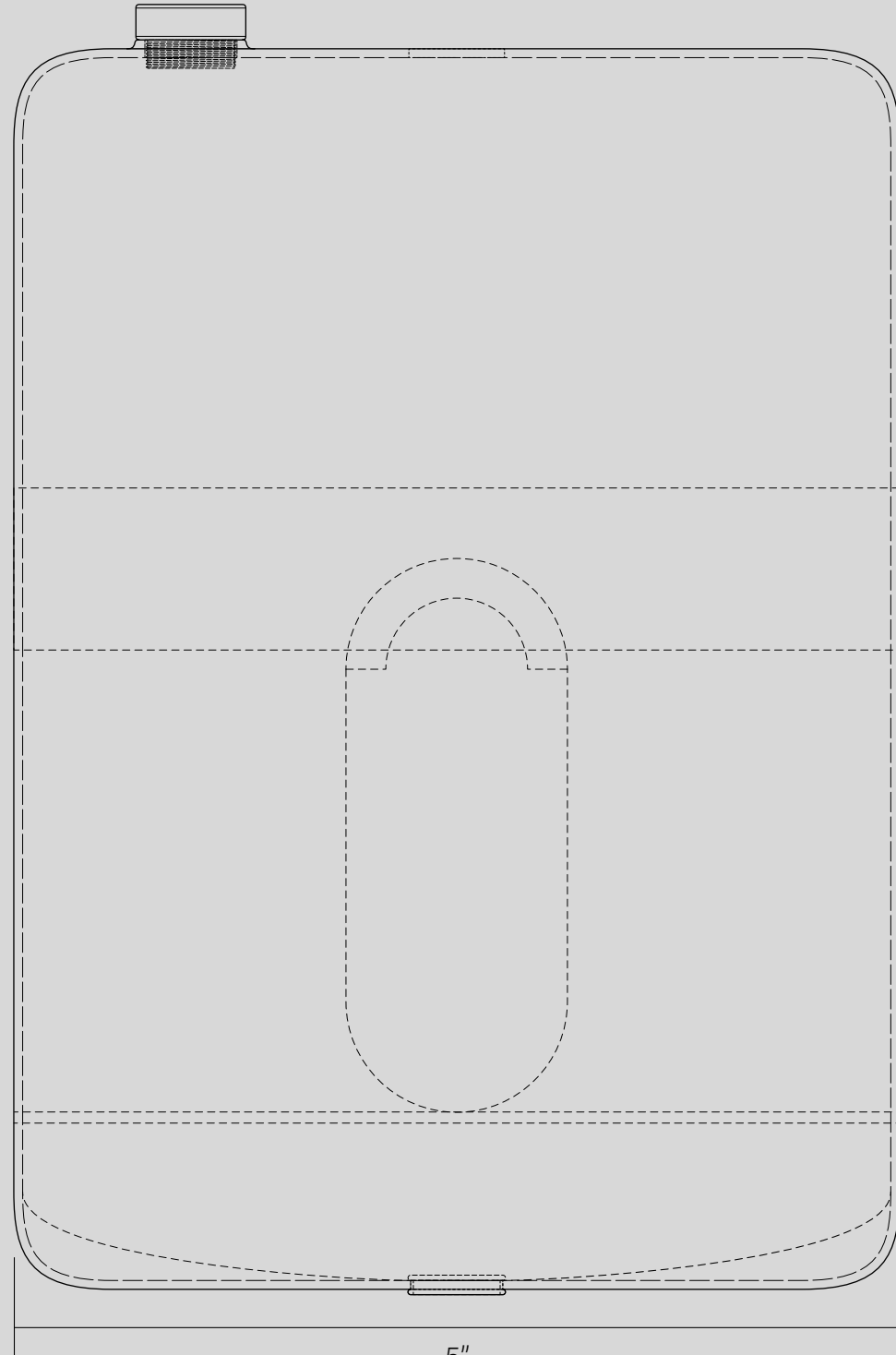


X FOLIATE

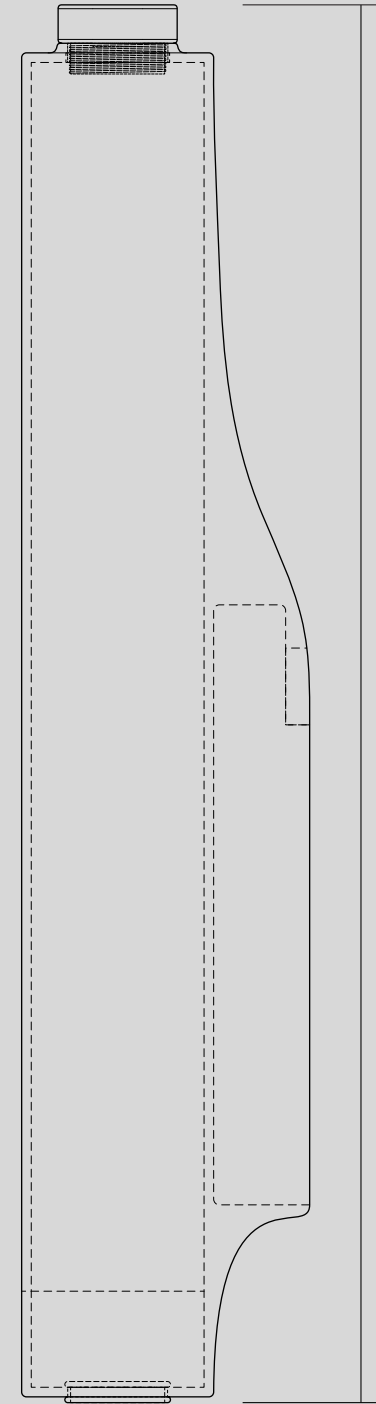
Jason Chan & Shane Fesler	Date	12/14/23
Design Lab 2	Unit	Inch-Pounds-Seconds
Contact ---/---/----	Scale	1 : 1
Description: Shower Container & Small Pump	Sheet	3 of 13
	Paper	11" x 17"



1.5"

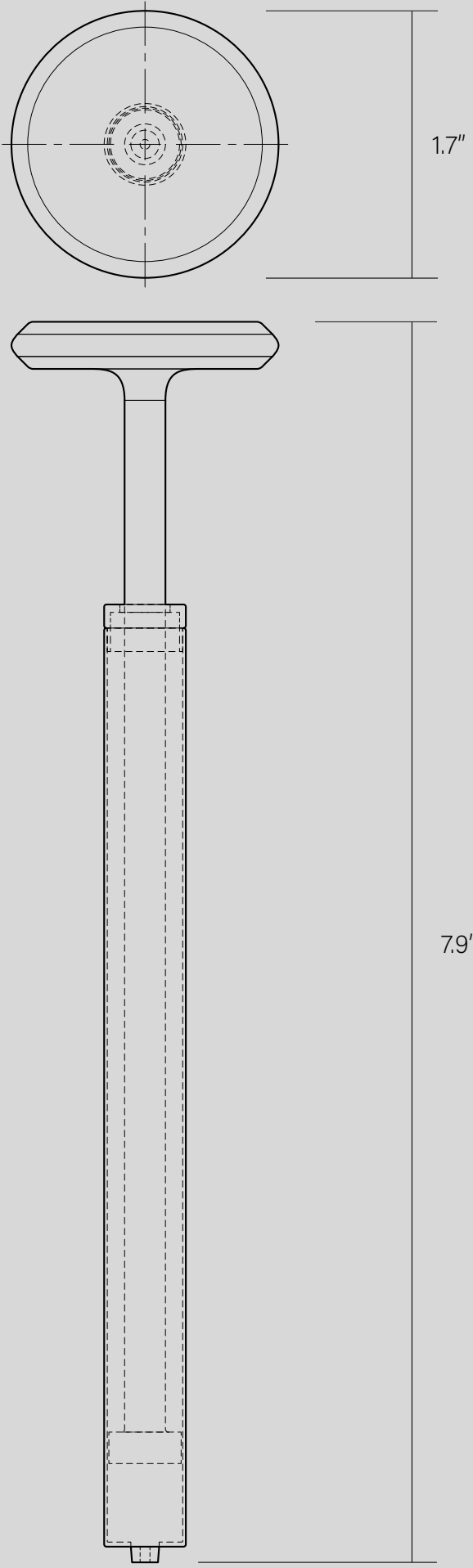


5"



7.28"

XFOLIATE		
Jason Chan & Shane Fesler	Date	12/14/23
Design Lab 2	Unit	Inch-Pounds-Seconds
Contact ---/---/----	Scale	1 to 1
Description: Shower Container	Sheet	4 of 13
	Paper	11"x17"



X FOLIATE

Jason Chan & Shane Fesler	Date	12/14/23
Design Lab 2	Unit	Inch-Pounds-Seconds
Contact ---/---/----	Scale	1 to 1
Description: Castor & Hinge System	Sheet	5 of 13
	Paper	11"x17"

1

2

3

4

5

6

7

8

9

10

11

G

G

F

F

E

E

D

D

C

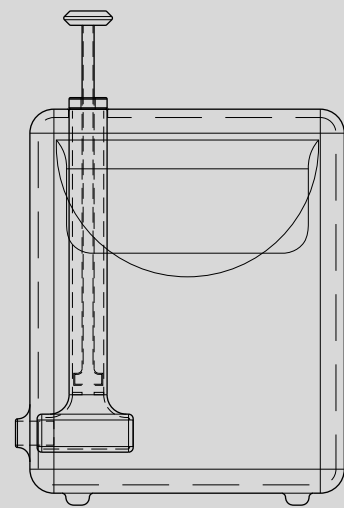
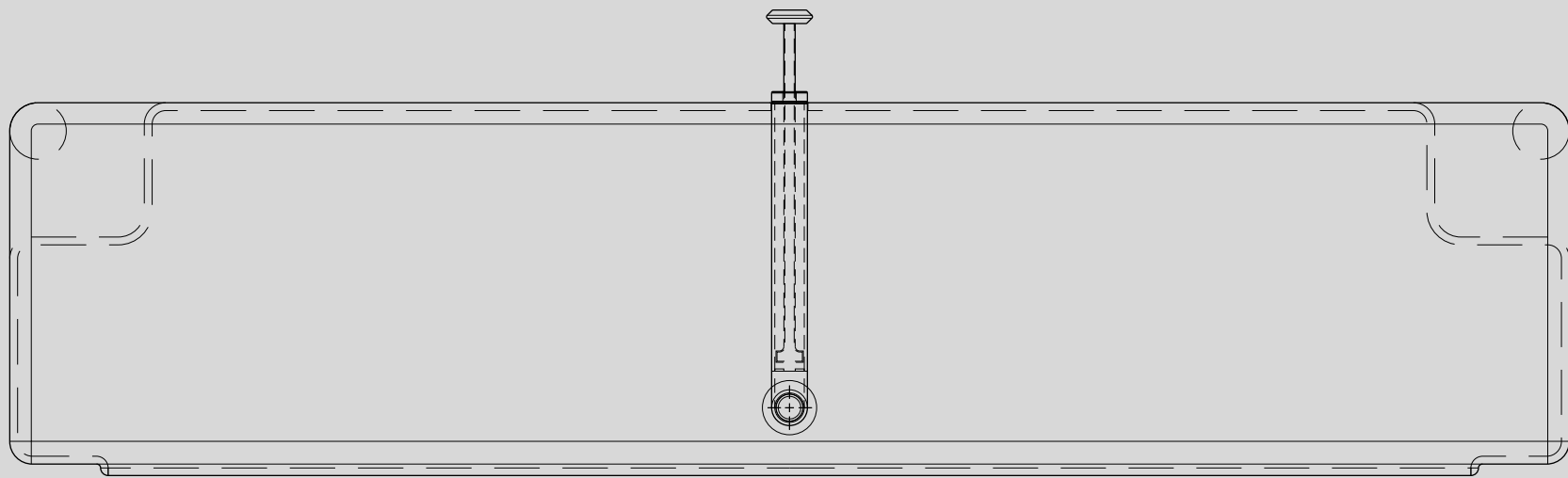
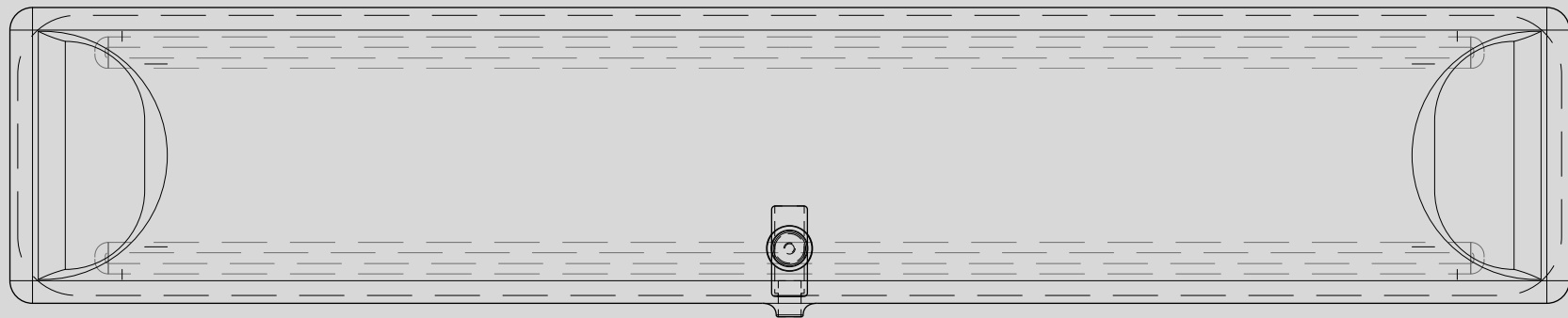
C

B

B

A

A



XFOLIATE

Jason Chan & Shane Fesler	Date	12/14/23
Design Lab 2	Unit	Inch-Pounds-Seconds
Contact ---/---/----	Scale	1 : 1
Description: Castor & Hinge System	Sheet	6 of 13
	Paper	11" x 17"

1

2

3

4

5

6

7

8

9

10

11

1 2 3 4 5 6 7 8 9 10 11

G

G

F

F

E

E

D

D

C

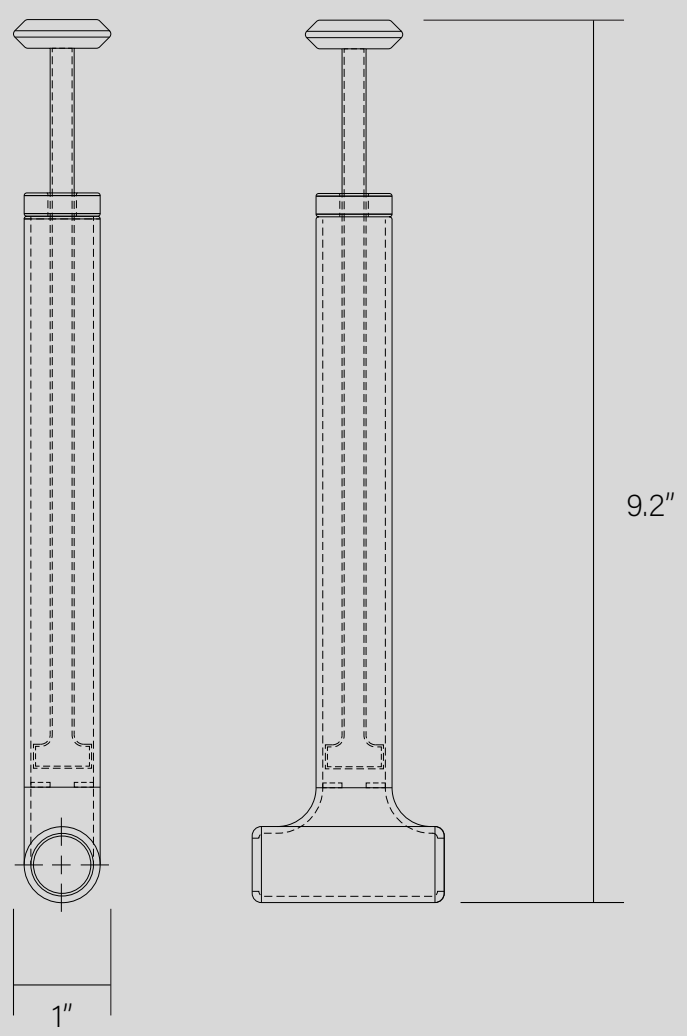
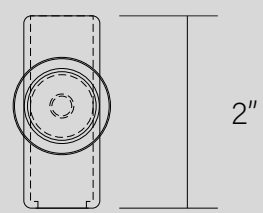
C

B

B

A

A



X FOLIATE		
Jason Chan & Shane Fesler	Date	12/14/23
Design Lab 2	Unit	Inch-Pounds-Seconds
Contact ---/---/----	Scale	1 : 2
Description: Large Pump	Sheet	7 of 13
	Paper	11" x 17"

1 2 3 4 5 6 7 8 9 10 11

1 2 3 4 5 6 7 8 9 10 11

G

G

F

F

E

E

D

D

C

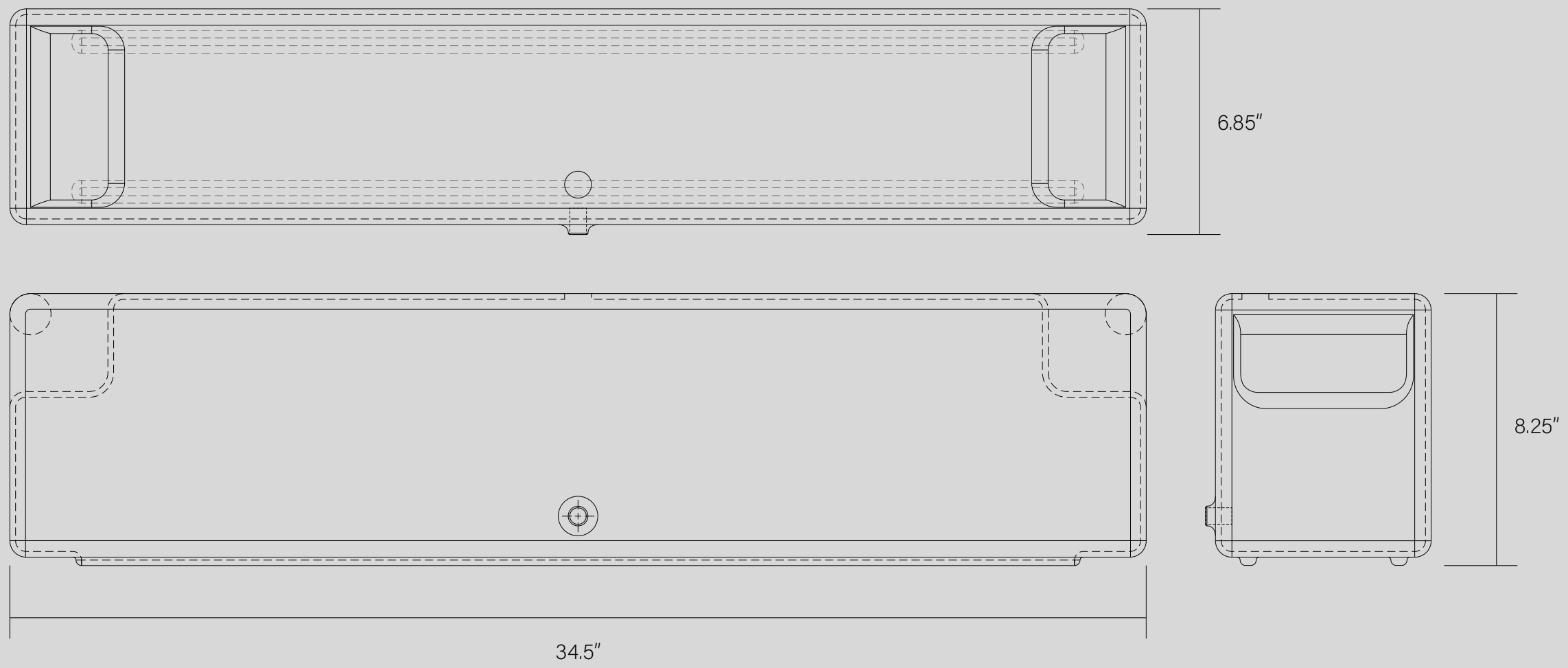
C

B

B

A

A



X FOLIATE

Jason Chan & Shane Fesler	Date	12/14/23
Design Lab 2	Unit	Inch-Pounds-Seconds
Contact ---/---/----	Scale	1 : 4
Description: Soiled Water Tank	Sheet	8 of 13
	Paper	11" x 17"

1 2 3 4 5 6 7 8 9 10 11

1 2 3 4 5 6 7 8 9 10 11

G

G

F

F

E

E

D

D

C

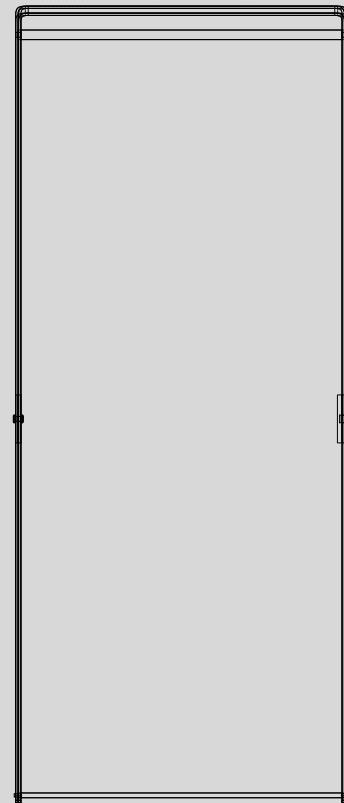
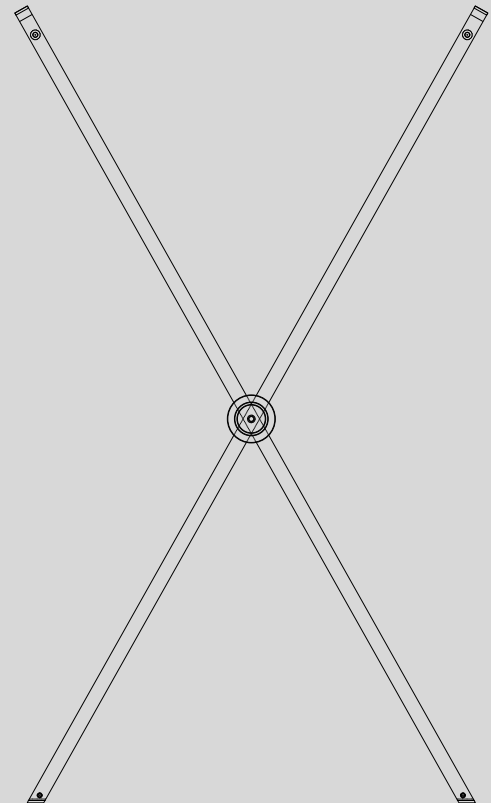
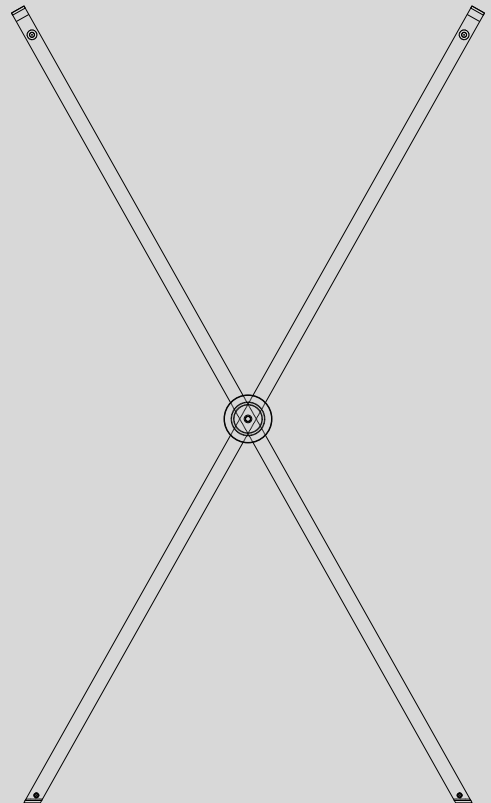
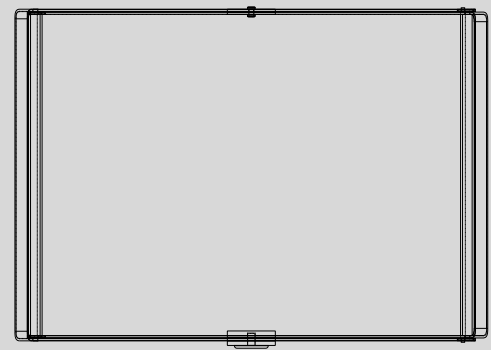
C

B

B

A

A



XFOLIATE

Jason Chan & Shane Fesler	Date	12/14/23
Design Lab 2	Unit	Inch-Pounds-Seconds
Contact ---/---/----	Scale	1 : 20
Description: Frame, Feet Caps, & Cross Bars	Sheet	9 of 13
	Paper	11" x 17"

1 2 3 4 5 6 7 8 9 10 11

1 2 3 4 5 6 7 8 9 10 11

G

G

F

F

E

E

D

D

C

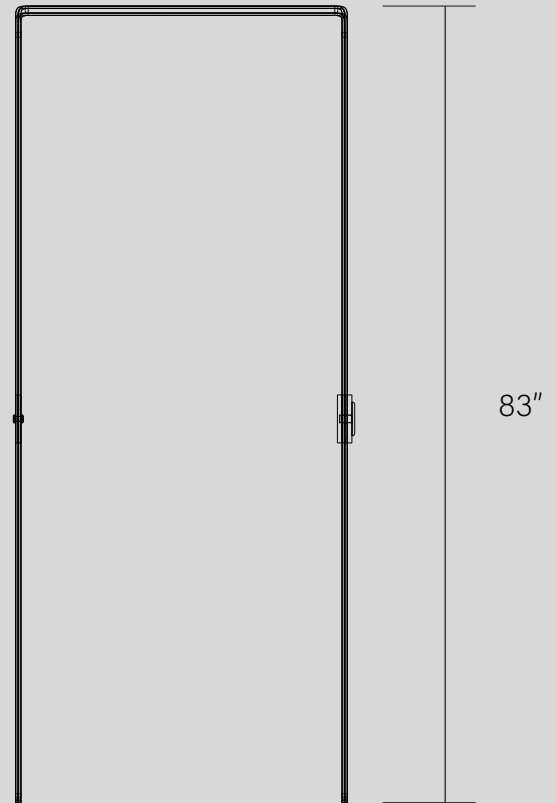
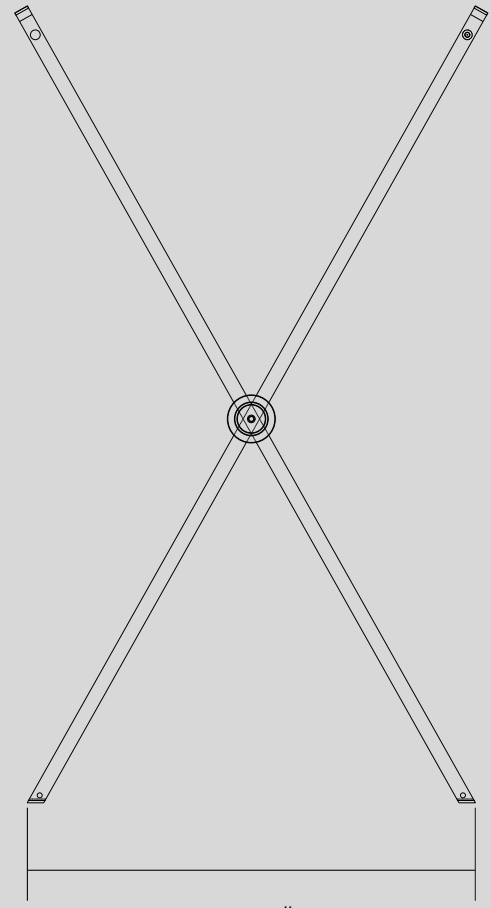
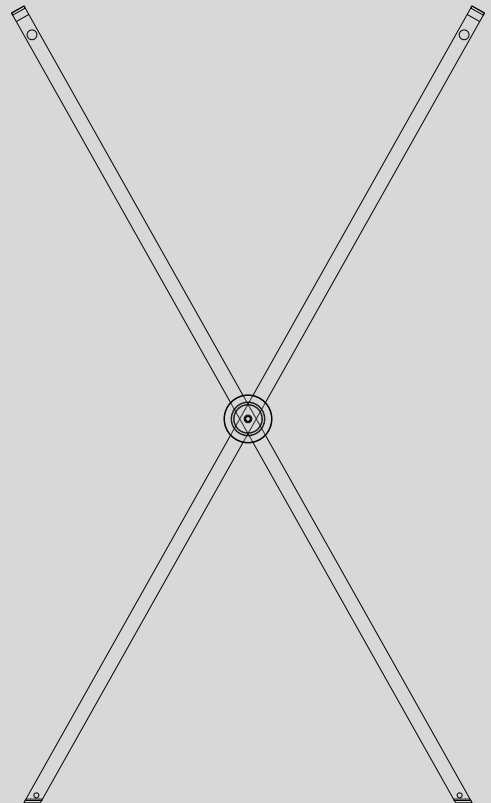
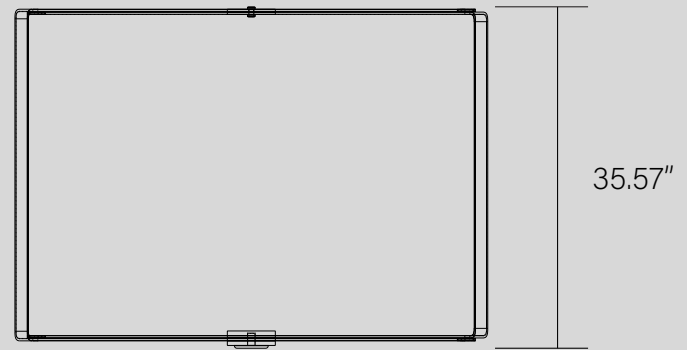
C

B

B

A

A



XFOLIATE

Jason Chan & Shane Fesler	Date	12/14/23
Design Lab 2	Unit	Inch-Pounds-Seconds
Contact ---/---/----	Scale	1 : 20
Description: Frame	Sheet	10 of 13
	Paper	11" x 17"

1 2 3 4 5 6 7 8 9 10 11

1

2

3

4

5

6

7

8

9

10

11

G

G

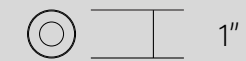
F

F



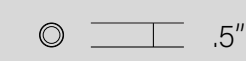
E

E



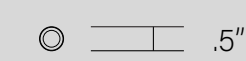
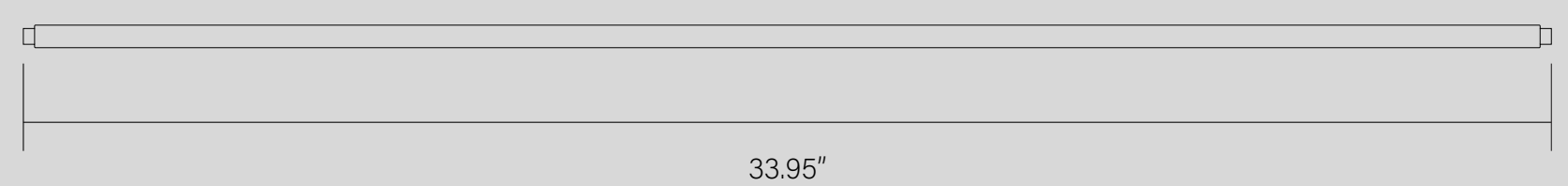
D

D



C

C



B

B

A

A

X FOLIATE

Jason Chan & Shane Fesler	Date	12/14/23
Design Lab 2	Unit	Inch-Pounds-Seconds
Contact ---/---/----	Scale	1 : 4
Description: Cross Bars	Sheet	11 of 13
	Paper	11" x 17"

1

2

3

4

5

6

7

8

9

10

11

1

2

3

4

5

6

7

8

9

10

11

G

G

F

F

E

E

D

D

C

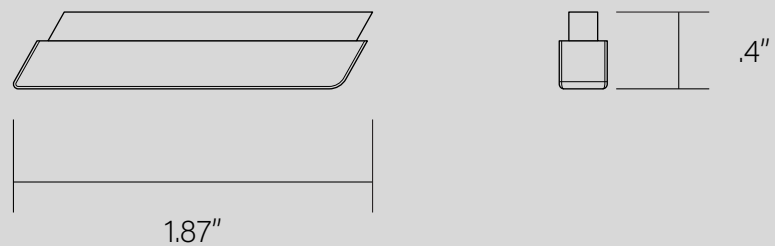
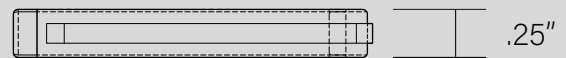
C

B

B

A

A



X FOLIATE

Jason Chan & Shane Fesler	Date	12/14/23
Design Lab 2	Unit	Inch-Pounds-Seconds
Contact ---/---/----	Scale	1 : 1
Description: Feet Cap (x4)	Sheet	12 of 13
	Paper	11" x 17"

1

2

3

4

5

6

7

8

9

10

11

1 2 3 4 5 6 7 8 9 10 11

G

G

F

F

E

E

D

D

C

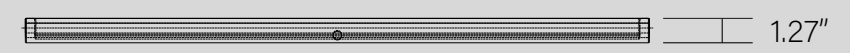
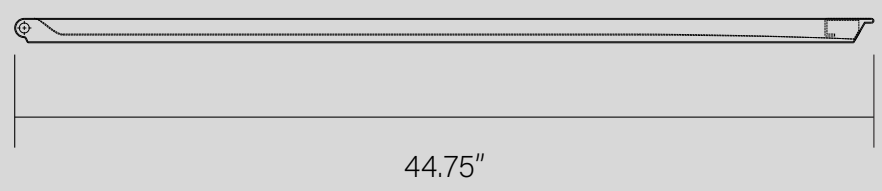
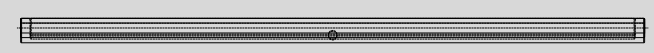
C

B

B

A

A



XFOLIATE

Jason Chan & Shane Fesler	Date	12/14/23
Design Lab 2	Unit	Inch-Pounds-Seconds
Contact ---/---/----	Scale	1 : 10
Description: Tub	Sheet	13 of 13
	Paper	11" x 17"

1 2 3 4 5 6 7 8 9 10 11

X FOLIATE

CMF Sheet



Anodized Recycled Aluminum

Ecodear Nylon 610

Silicon Rubber

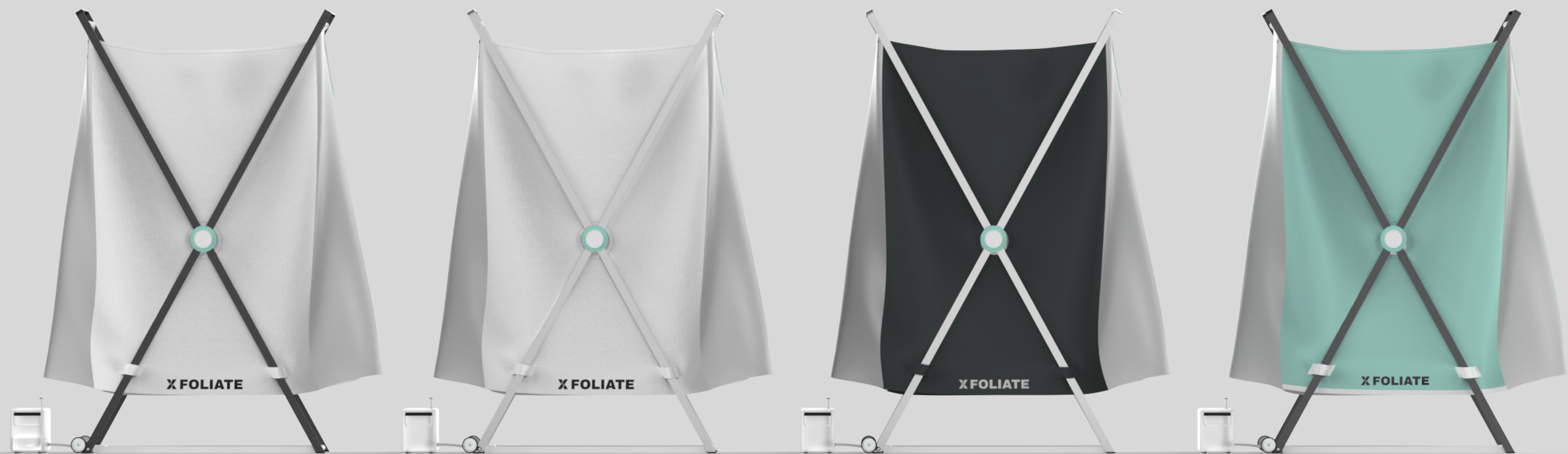
HDPE



XFOLIATE



Colorways



Methodical Black

#262626

Tranquil Gray

#C6C6C6

Haven Gray

#3F4444

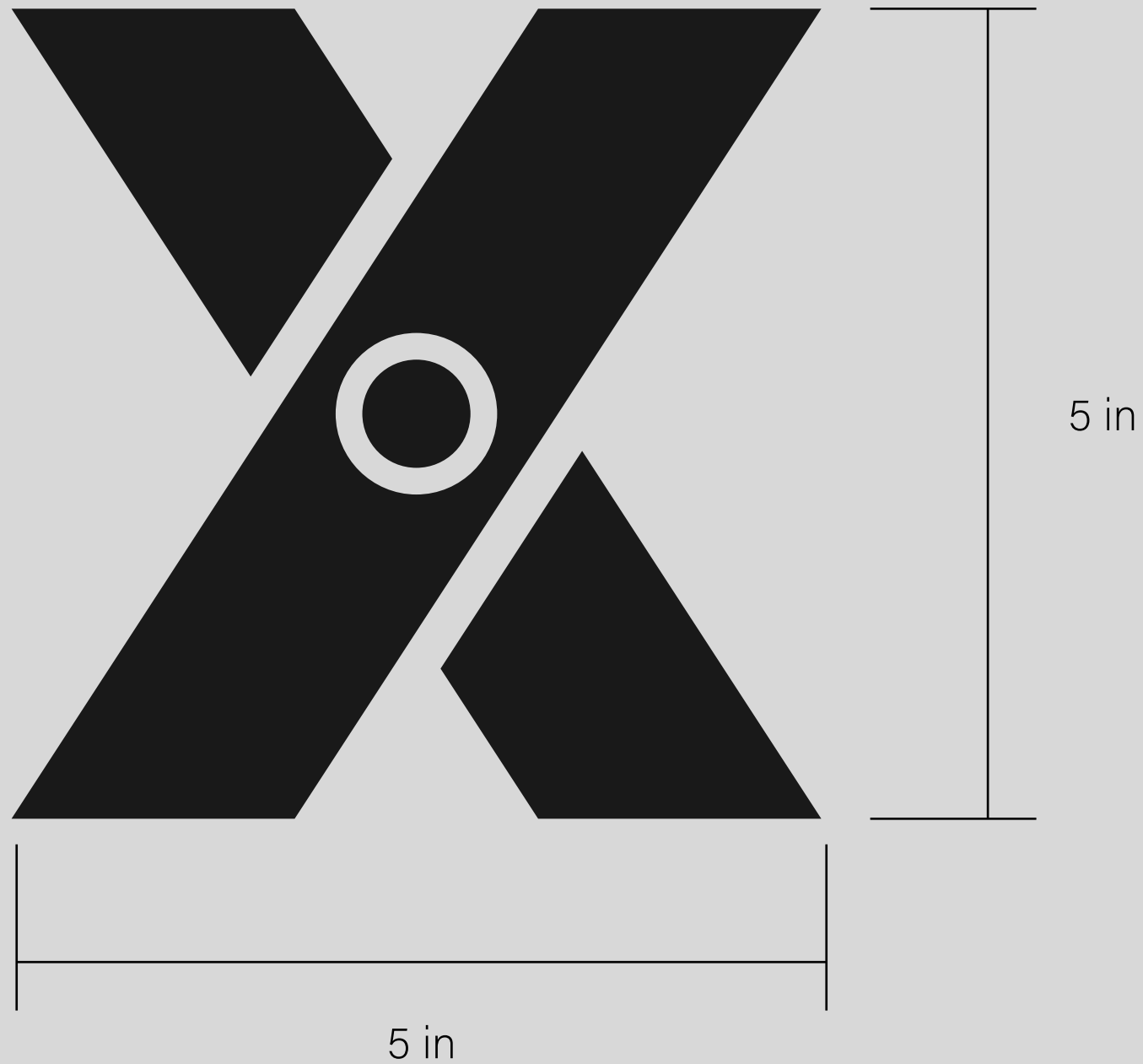
Soothing Blue

#A2E0D1

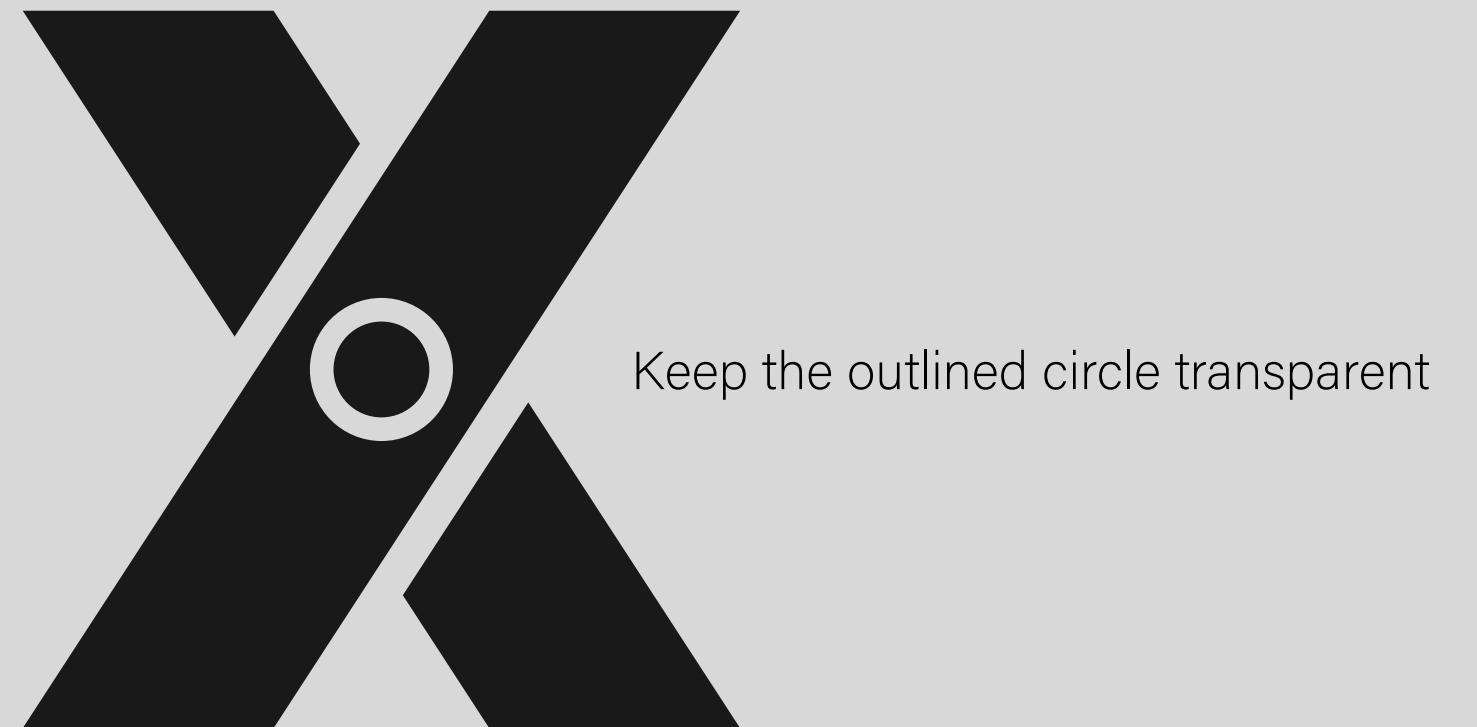
X FOLIATE

Branding Guidelines

Logo Requirements

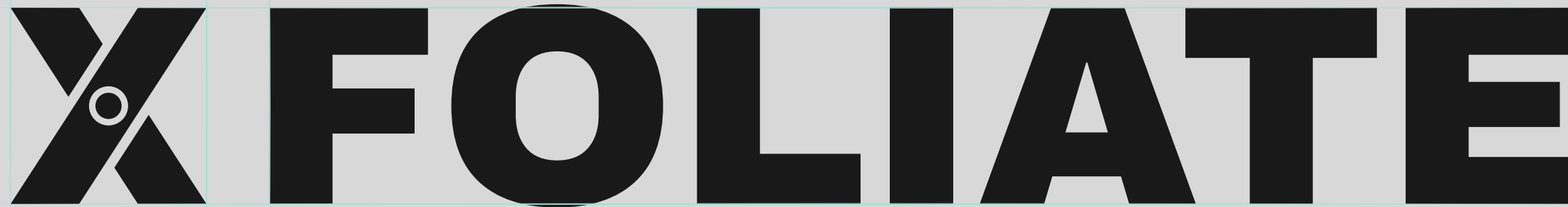


XFOLIATE'S Logo will be 1 x 1



Spacing and Use

Logo should match the height of the logotype



The spacing of **X** is exactly the stem's width of the letter "F"

No

Yes

Shrinking either logo or logotype



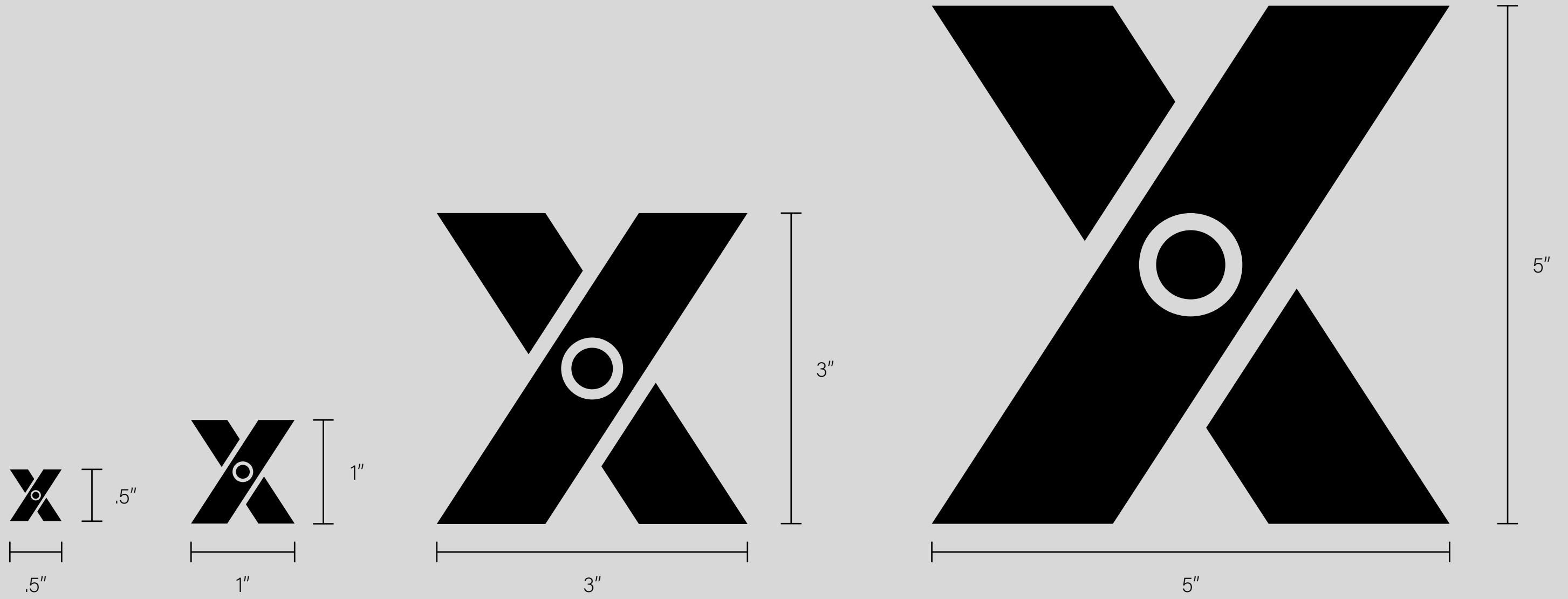
Dual logo



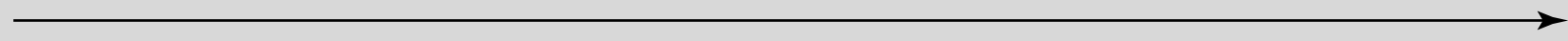
Reordering



Size Parameters



Smallest size



Largest size

X FOLIATE

Thank You!

